

## Cisco Digital Transport Adapter 50 Remote Control



### Welcome

The Cisco® Digital Transport Adapter 50 (DTA50) remote controls your DTA50 adapter and connected cable-ready TV. Use the instructions in this guide to set up and use your Cisco DTA50 Remote Control.

### Important Information About Your Remote

Your remote is initially programmed to operate only your DTA50. Therefore, you must program the remote to operate your TV. See **Program the Remote to Control My TV** to learn how to enter TV codes and program your remote.

### Batteries

The remote requires two AAA batteries. A diagram inside the battery compartment of the remote indicates proper placement of the batteries.

**Note:** Batteries must be replaced within two minutes of removal to retain programmed TV Codes.

**Caution:** This remote is not a toy. It should be kept out of the reach of children under the age of 6 years.

### Program the Remote to Control My TV

You will need to program your remote to control your cable-ready TV. See **TV Setup Codes** to locate valid codes for your TV.

Press the **PROG** key for at least three seconds and then press the four-digit code for your TV. If programming was successful, the remote now controls the TV's POWER (on/off), Volume (+/-), MUTE and Closed Captioning (CC) keys.

### Notes:

- Do not press the PROG key for more than 30 seconds.
- On a few cable-ready TVs, the Power key is the only key that can be programmed successfully.

### Auto Search

(Programming Code 914)

If your brand of TV does not respond to the remote control after trying all the codes listed, or if your brand of TV is not listed, try using the Auto Search function.

The Auto Search feature automatically searches for the right code by sending a Power Off command for all codes that are available for a device.

- Turn on your cable-ready TV
- Press the **PROG** key for at least 3 seconds
- Enter the programming code **914** by pressing the numeric keys on the remote.
- Point the remote control at the TV and press the **POWER** key at the same time. Continue to press the **POWER** key until the TV turns off.
- After the TV turns off, release all keys. The remote is now programmed to work with your TV.

### Change Volume Control

By default, the volume and MUTE keys control the volume on the DTA50. After you have programmed the remote to control your TV, the volume and MUTE keys adjust the volume of your TV higher, lower, or temporarily switch the volume on and off (MUTE).

### Controlling the DTA50 Volume

(Programming Code 9931)  
To reset the volume and MUTE keys to control the volume on the DTA50, press the **PROG** key and then enter the programming code **9931** by pressing the numeric keys on the remote.

### Controlling the TV Volume

(Programming Code 9932)  
After manually resetting the volume and MUTE keys to control the volume on the DTA50, you can reset the volume and MUTE keys to control the volume on the TV. Press the **PROG** key and then enter the programming code **9932** by pressing the numeric keys.

Phantom codes can be transmitted to the DTA50 adapter when a remote control's volume keys become locked to a TV. The DTA50 adapter uses these codes to reset its volume to an optimal setting.

### Turn Off Phantom Code

(Programming Code 9933)  
To turn off the Phantom Code, press the **PROG** key and then enter the programming code **9933** by pressing the numeric keys.

### Turn On Phantom Code

(Programming Code 9934)  
To turn on the Phantom Code, press the **PROG** key and then enter the programming code **9934** by pressing the numeric keys on the remote.

### Put It Back the Way I Got It

You can return all functions to their original settings by resetting the remote to factory default settings. Resetting the remote to factory default settings removes all of the programming you have entered for the remote. You must reprogram the remote to restore your personal settings.

### Resetting the Remote to Factory Default Settings

- Press the **PROG** key for at least three seconds.
- Enter the programming code **981** by pressing the numeric keys on the remote. The remote will be reset to its factory default settings.

### Notes:

- Do not press the PROG key for more than 30 seconds
- If any other key is pressed except the numeric keys, the remote does not accept any changes or updates.
- If the remote times out before you complete the factory default reset procedure, the remote does not accept any changes. You must start over.
- The DTA50 remote control does not have an LED indicator.

### Troubleshooting

If there is no response when you press the keys on the remote, please check the following items before calling for service.

#### Check the Batteries

- Are the batteries inserted correctly?
- Check the battery condition for leakage.
- Replace with new batteries.

#### Check the DTA50

Is the DTA50's power cord connected to the power outlet?

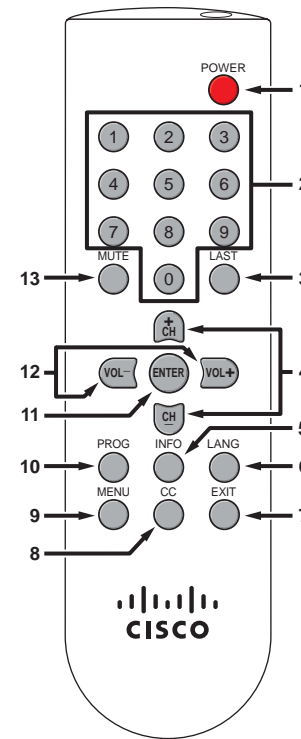
#### Check the TV Codes List

Is the device brand name for the device listed in the code list?

- If **yes**, and there is more than one code listed, try using a different code to provide more functionality.
- If **no**, you may need to perform the following steps:
  - Use the original remote provided with the TV
  - Run an Auto Search

**Note:** TV Setup Codes determine which keys can be programmed. For example, if you use TV Setup Code 0154, the Volume (+/-) keys are the only keys you can program. The remote will control the TV's volume keys, but it will not control the POWER, MUTE or Closed Captioning keys.

### Quick Reference



- TV power on and off
- Access specific channels
- Access last channel viewed
- Scroll through channels
- Display text information about the program
- Change audio to different languages
- Exit menu\*
- View closed-caption text\*
- Access the DTA50 menu\*
- Control the TV's volume, mute, and closed captioning keys
- Select menu item\*
- Adjust volume
- Mute volume

\* The Closed Captioning button on the DTA50 Remote Control may not work if the remote control for your cable-ready TV does not have a Closed Captioning (CC) button.

\* Optional features

### TV Setup Codes

A-Mark	0003	CCE	0217, 0329, 0623
Abex	0032	Celebrity	0000
Accurian	1803	Celera	0765
Action	0873	Champion	1362
Admiral	0093, 0463, 0179	Changhong	0765
Advent	0761, 0783, 0815, 0817, 0842, 1933	Citizen	0060, 0030, 0092, 0039, 0046, 0056, 0186, 0280, 1669, 1671, 1672, 1928, 1935
Adventura	0046	Clairtone	0185
Alfron	0891	Clarion	0180
Aiko	0092	Classic	1984
Aiwa	0032, 0701, 1362	Coby	1634, 2306, 2314, 2315, 2326, 2338, 2340, 2343, 2344, 2345, 2347, 2348, 2351, 2560
Akai	0812, 1675, 0702, 0030, 0098, 0672, 1207, 1676, 1688, 1689, 1690, 1692, 1935, 2232	Commercial Solutions	0047
Alaron	0179, 0183, 0216	Computime	1002
Albatron	0700, 0843	Concerto	0056
Ambassador	0177	Contec	0180, 0157, 0158, 0185
America Action	0180	Craig	0180, 0161
Anam	0180, 0004, 0009, 0068	Crosley	0000, 0054
Anam National	0161	Crown	0180, 0039
AOC	0030, 0003, 0019, 0052, 0137, 0185, 1089, 1365, 1589, 1590, 2014, 2087	CTX	0700
Aomni	1623	Curtis	1326, 2352, 2466
Apex Digital	0748, 0879, 0765, 0767, 0890, 1217, 1943, 1991, 1992, 2397	Curtis Mathes	0047, 0054, 0154, 0451, 0093, 0060, 0702, 0030, 0145, 0166, 1661, 1959, 1919, 0747, 0466, 0068, 0056, 0039, 0016
Archer	0003	CXC	0180
Astar	1531, 1738	CyberHome	0794
Audiovox	0451, 0180, 0092, 2513, 1952, 1951, 1937, 1868, 1803, 1769, 1766, 1284, 0875, 0846, 0802, 0713, 0623, 0003	Cytron	1326
Aurora Systems	0801	Daewoo	0154, 0451, 0092, 1661, 0019, 0039, 0066, 0091, 0623, 0661, 0672, 1928
Aventura	0171	Daytron	0019
Axion	1937	Dell	1264, 1080, 1178
Bang & Olufsen	1620	Delta	1001, 1369
Belcor	0019	Denon	0145, 0511
Bell & Howell	0154, 0016	Denstar	0628
BenQ	1032, 1315	Diamond Vision	1996, 1997
Bradford	0180	Digistar	1565
Brilliant	1007	Digital Lifestyles	1765
Brockwood	0019	Disney	1665, 2152
Broksonic	0236, 0463, 0003, 1905, 1911, 1929, 1935	Dumont	0017, 0019
Byd:sign	1309	Durabrand	0463, 0180, 0178, 0171, 1034, 0003, 1665
C & M	0700	Dwin	0747
Cadia	1283	Dynex	2049, 1463, 1785
Candle	0030, 0046, 0056, 0186	Electroband	0000, 0185
Carnivale	0030	Electrograph	1755, 1623
Carver	0054, 0170	Electrohome	0463, 0381, 0409, 1670, 1672
Casio	1205		

TV Setup Codes - continued

Element	1687, 2183
Emerson	1864, 0154, 0451, 0236, 0463, 0180, 0178, 0171, 1661, 0623, 1665, 1905, 1911, 1928, 1929, 1944, 1963, 1997, 0282, 0280, 0270, 0185, 0183, 0182, 0181, 0179, 0177, 0158, 0039, 0038, 0019, 0002
Emprex	1422, 1546, 1765
Encross	0876, 1474
Envision	0030, 0813, 1365, 1589, 2014, 2087
Epson	1122
Erae	1222
ESA	0812, 0171, 1944, 1963
Fisher	0154, 1362
FlexVision	0713
Fujitsu	0809, 0179, 0186, 0683, 0853
Funai	0000, 0180, 0171, 0179, 1904, 1963, 1979
Futuretech	0180
Gateway	1755, 1001, 1002, 1003, 1756
GE	0047, 0051, 0451, 0178, 2359, 1922, 1919, 1917, 1907, 1547, 0747, 0282, 0279, 0135, 0029, 0027, 0021
GFM	0171, 1665, 1963, 2167
Gibraltar	0017, 0030, 0019
Go Video	0886, 1823
GoldStar	0178, 0030, 0002, 0019, 0032, 0039, 0056, 0409, 1926
Goodmans	0360
GPX	0179
Gradiente	0392
Grundig	0683
Grunpy	0180, 0179
H & B	1366
Haier	1034, 0768, 1748, 2309, 2494
Hallmark	0178
Hanns.G	1783
Hannspree	1348, 1351, 1352, 1745, 1783
Harley Davidson	043, 0179, 1904
Harman/Kardon	0054
Harsper	1206
Harvard	0180, 0068
Havermy	0093
Helios	0865
Hello Kitty	0451

9

Hewlett Packard	1494, 1088, 1089, 1101
Hisense	0748, 1314, 1660, 2098, 2355
Hitachi	1643, 1145, 0145, 1904, 1445, 1345, 0797, 0679, 0413, 0409, 0279, 0217, 0173, 0151, 0097, 0096, 0095, 0056, 0043, 0038, 0036, 0032, 0016
HP	1494, 1088, 1089, 1101
Hyundai	0849, 1219, 1294
I-Inc	1746
iLo	1286, 1603, 1665, 1684, 1990
Infinity	0054
Initial	1603, 1990
Insignia	2049, 0463, 0171, 0842, 1204, 1326, 1517, 1641, 1660, 1710, 1785, 1892, 1963, 2002, 2416, 2417
Inteq	0017
iRIS	2189
IX	0877
Janeil	0046
JBL	0054
JCB	0000
Jensen	0761, 0050, 0815, 0817, 1299, 1326, 1933
JVC	0463, 0053, 0036, 0069, 0160, 0169, 0182, 0650, 0731, 1352, 1601, 1923, 2271
Kamp	0216
Kawasho	0158, 0216, 0308
Kaypani	0052
KDS	1498, 1687
KEC	0180
Kenwood	0030, 0019
KLH	0765, 0767, 1962
Kloss	0024, 0046
KMDS	2278
Konka	0628, 0632, 0638, 0707, 1939
Kost	1262, 1483
Kreisen	0876, 1474
KTV	0180, 0030, 0039, 0183, 0185, 0217, 0280
LG	0017, 1265, 0178, 0442, 0700, 0829, 0856, 1178, 1934
LiteOn	1088
Lloyd's	1904
Loewe	0136
Logik	0016
Luce	0837, 1031
Luxman	0056

10

LXI	0047, 0054, 0156, 0154, 0178, 0148, 0747
MAG	1498, 1687
Magnasonic	1928
Magnavox	1454, 1866, 1755, 0054, 0051, 0030, 0171, 0706, 1990, 1963, 1944, 1904, 1867, 1525, 1365, 1254, 1198, 0802, 0386, 0187, 0186, 0179, 0096, 0036, 0028, 0024, 0020
Magnin	1907
Majestic	0016
Marantz	1454, 0054, 0030, 0854, 1398, 1714
Matsushita	0250, 0650
Maxent	1755, 1211, 1714, 1757
MB Quart	1868
Megapower	0700
Megatron	0178, 0145, 0003
MEI	0185
Memorex	0154, 0463, 0150, 0178, 0016, 0179, 0877, 1665, 1670, 1892, 1911, 1924, 1926
MGA	0150, 0178, 0030, 0019, 0155, 1907
Micro	1436
Midland	0047, 0017, 0051, 0032, 0039, 0135, 0747
Mintek	1603, 1990
Minutz	0021
Mitsubishi	1250, 0093, 0150, 0178, 0014, 0019, 0036, 0098, 0155, 0331, 0358, 1917
Monivision	0700, 0843
Motorola	0093, 0835
Moxell	0835
MTC	0060, 0030, 0019, 0056, 0091, 0185, 0216
Multitech	0180, 0217
NAD	0156, 0178, 0056, 0866, 1156
Nakamichi	1493
Naxa	1998
NEC	0030, 0019, 0036, 0056, 0170, 1398, 1797
NetTV	1755
Nexus Electronics	2183
Nikko	0178, 0030, 0092
Niko	1581
Noblex	0430
Norcent	0748, 0824, 1089, 1365, 1589, 1590, 1591, 2110
Norwood Micro	1286, 1296
Noshi	0018
NTC	0092
NuVision	1657, 2158

11

Olevia	1610, 1144, 1240, 1331
Onwa	0180
Optimus	0250, 0154, 0166, 0650, 1924
Optoma	0887, 1348
Optonica	0093, 0165
Orion	0236, 0463, 1463, 0179, 1905, 1911, 1929
Panasonic	1480, 0250, 1457, 0051, 0161, 0162, 0226, 0650, 1310, 1919, 1924
PARK	2104
PDI	1474
Penney	0047, 0156, 0051, 0060, 0178, 0030, 1926, 1919, 1907, 0747, 0149, 0135, 0110, 0039, 0032, 0027, 0021, 0019, 0018, 0003, 0002
Petters	1523
Philco	0054, 0030, 0171, 0019, 0020, 0024, 0028, 0096, 0179, 0187, 0381, 1665, 1963
Philips	1454, 1866, 0054, 0690, 1483, 1744, 1806, 1867, 1961
Pilot	0030, 0019, 0039
Pioneer	1457, 0166, 0038, 0172, 0679, 0866, 1260, 1398
Planar	1496
Polaroid	1523, 0765, 2120, 2117, 2063, 2002, 1992, 1991, 1962, 1769, 1767, 1766, 1762, 1687, 1565, 1498, 1341, 1328, 1327, 1326, 1316, 1314, 1266, 1276, 1262, 0865
Portland	0451, 0092, 1661, 0019, 0039
Prima	0761, 0783, 0815, 0817, 1785, 1933
Princeton	0700, 0717
Prism	0051
Proscan	0047, 0030, 0466, 0747, 1922, 2147, 2256
Proton	0178, 0003, 0031, 0052, 0466
Protron	1320, 1323
Proview	0835, 1498, 1687
Pulsar	0017, 0019
Puneet	1546
Pvision	1222
Quanta	1003
Quasar	0250, 0051, 0165, 0650, 1919, 1924
RadioShack	0047, 0154, 0180, 0178, 0030, 0019, 0032, 0039, 0056, 0165, 0409, 0747, 1904

12

RCA	2434, 0047, 0051, 0093, 1661, 2187, 2002, 1958, 1953, 1922, 1919, 1917, 1907, 1547, 0747, 0679, 0135, 0090, 0038, 0029, 0019, 0018
Realistic	0154, 0180, 0178, 0030, 0019, 0032, 0039, 0056, 0165
RevolutionHD	1623
Rhapsody	0183, 0185, 0216
Runco	0017, 0030, 1398
Sampo	1755, 0030, 0032, 0039, 0052, 0100, 0110
Samsung	0812, 0060, 0702, 0178, 0030, 1959, 1575, 0814, 0766, 0650, 0587, 0427, 0329, 0217, 0056, 0039, 0032, 0019
Samsux	0039
Sansui	0463, 0171, 0165, 0173, 1409, 1670, 1892, 1904, 1911, 1929, 1935
Sanyo	1142, 0054, 0154, 0036, 0088, 0107, 0146, 0484, 1362, 1907
Sceptre	0878, 1217, 1360, 1599, 2506
Scimitsu	0019
Scotch	0178
Scott	0236, 0180, 0178, 0019, 0179, 1711
Sears	0047, 0054, 0156, 0154, 0178, 0171, 0056, 0146, 0148, 0149, 0179, 0281, 0747, 1007, 1904, 1926
Seleco	1351
Sharp	0818, 0093, 0039, 0153, 0157, 0165, 0281, 0386, 0854, 1917, 2495
Sharper Image	1950
Sheng Chia	0093
Sherwood	1399
Shogun	0019
Signature	0054, 0016
Signet	1262
Simpson	0186, 0187
Skyworth	1799
Solarism	1220
Sole	1031, 1366, 1483, 1623, 2075, 2076
Sony	0000, 0011, 0080, 1685, 1904
Soundesign	0180, 0178, 0179, 0186
Sova	1320, 1952
Soyo	1546, 1746, 1824, 1826
Spectricon	0003, 0137
Spectroniq	1498, 1687

13

Squareview	0171
SSS	0180, 0019
Starlite	0180
Studio Experience	0843
SunBrite	1420, 2337
Superscan	0093, 0864, 1944
Supre-Macy	0046
Supreme	0000
SVA	0748, 0587, 0768, 0865, 0871, 0872, 1963
Sylvania	1864, 0054, 0030, 0171, 0020, 0024, 0028, 0065, 0096, 0187, 0381, 0587, 1314, 1665, 1944, 1963
Symphonic	0180, 0171, 0068, 1904, 1944
Syntax	1610, 1144, 1240, 1331
Tandy	0093
Tatung	0003, 1101, 1286, 1287, 1288, 1361, 1756
Technics	0250, 0051
Technol Ace	0179
Techview	0847, 2004
Techwood	0051, 0003, 0056
Teco	1040
Teknika	0054, 0180, 0150, 0060, 0092, 0016, 0019, 0039, 0056, 0179, 0186, 0312
Telefunken	0702, 0056
Tera	0031
Thomas	1904
Thomson	0625
TMK	0178, 0056, 0177
TNCi	0017
Toshiba	0156, 0154, 1265, 0060, 0003, 0036, 0149, 0650, 0845, 1156, 1306, 1343, 1369, 1635, 1935, 1959
Tosonic	0185
Totevision	0039
Trical	0157
TruTech	1665, 1723, 2066
TVS	0463
Ultra	1323
Universal	0027
US Logic	1286
UTI Technology	2244
Vector Research	0030
Venturer	1865
VEOS	1007
Victor	0053
Video Concepts	0098
Vidikron	0054, 1398
Vidtech	0178, 0019, 0036

14

Viewsonic	1755, 0797, 0857, 0864, 0885, 1330, 1365, 1578, 1627, 1742, 2014, 2087
Viking	0046, 0312
Viore	1207, 1684, 1811, 2104, 2352
Visart	1336
Vistron	2142
Vizio	1758, 0864, 0885, 1756
Wards	0000, 0047, 0054, 0017, 0156, 0154, 0051, 0180, 0060, 0178, 0030, 1156, 0866, 0187, 0186, 0179, 0165, 0096, 0080, 0056, 0016, 0029, 0028, 0027, 0024, 0021, 0020, 0019, 0018
Waycon	0156
Westinghouse	1712, 0451, 0885, 0889, 0890, 1217, 1282, 1300, 1577, 2499
White Westinghouse	0463, 1661, 0623
WinBook	1381
Wyse	1365
Yamaha	0030, 0019, 0797
Zenith	0000, 0047, 0017, 0463, 1265, 0178, 0030, 1145, 0145, 0092, 1661, 0160, 0016, 1365, 1904, 1911, 1929
Zonda	0003

15

TV Program Codes

If you program codes to control your TV, record your codes here for easy reference.

TV	Code
Example:	0003
TV1	
TV2	

Handling Disposable Batteries

This product may contain disposable batteries. Heed the following warning and follow the Battery Safety and Battery Disposal instructions below.

**⚠ WARNING:** There is danger of explosion if the battery is mishandled or incorrectly replaced. Replace only with the same type of battery. Do not disassemble it or attempt to recharge it outside the system. Do not crush, puncture, dispose of in fire, short the external contacts, or expose to water or other liquids. Dispose of the battery in accordance with local regulations and instructions from your service provider.

Battery Safety

- Insert batteries correctly. There may be a risk of explosion if the batteries are incorrectly inserted.
- Do not attempt to recharge 'disposable' or 'non-reusable' batteries.
- Please follow instructions provided for charging 'rechargeable' batteries.
- Replace batteries with the same or equivalent type that we recommend.
- Do not expose batteries to excessive heat (such as sunlight or fire).
- Do not expose batteries to temperatures above 100°C (212°F).

Battery Disposal

- The batteries may contain substances that could be harmful to the environment.
- Recycle or dispose of batteries in accordance with the battery manufacturer's instructions and local/national disposal and recycling regulations.



- The batteries may contain perchlorate, a known hazardous substance, so special handling and disposal of this product might be necessary. For more information about perchlorate and best management practices for perchlorate-containing substance, see [www.dtsc.ca.gov/hazardouswaste/perchlorate](http://www.dtsc.ca.gov/hazardouswaste/perchlorate)

Disclaimer

Cisco Systems, Inc. assumes no responsibility for errors or omissions that may appear in this guide. We reserve the right to change this guide at any time without notice.



Cisco Systems, Inc.  
5030 Sugarloaf Parkway, Box 465447  
Lawrenceville, GA 30042

678.277.1000  
[www.cisco.com](http://www.cisco.com)

Cisco and the Cisco Logo are trademarks of Cisco Systems, Inc. and/or its affiliates in the U.S. and other countries. A listing of Cisco's trademarks can be found at [www.cisco.com/go/trademarks](http://www.cisco.com/go/trademarks).

Third party trademarks mentioned are the property of their respective owners.

The use of the word partner does not imply a partnership relationship between Cisco and any other company. (1005R)

© 2010 Cisco Systems, Inc. All rights reserved.

June 2010

Part Number 4030042 Rev B